

CHIRANA
CONNECT

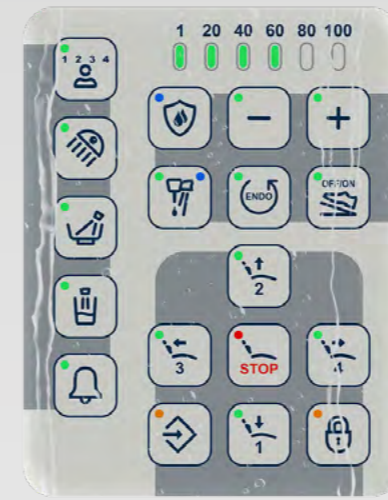


CONNECT YOURSELF WITH COMFORT



Designed for maximum efficiency, patient comfort and your seamless workflow.

CHIRANA CONNECT combines modern minimalism with long-lasting, reliable and stable performance.



water resistant



ERGONOMIC DENTIST TABLE

intuitive work space for you

Compact and elegant dentist table with five positions for instruments is available in both continental (whips) and traditional (hanging) versions. This allows you to choose the configuration that best suits your work style.

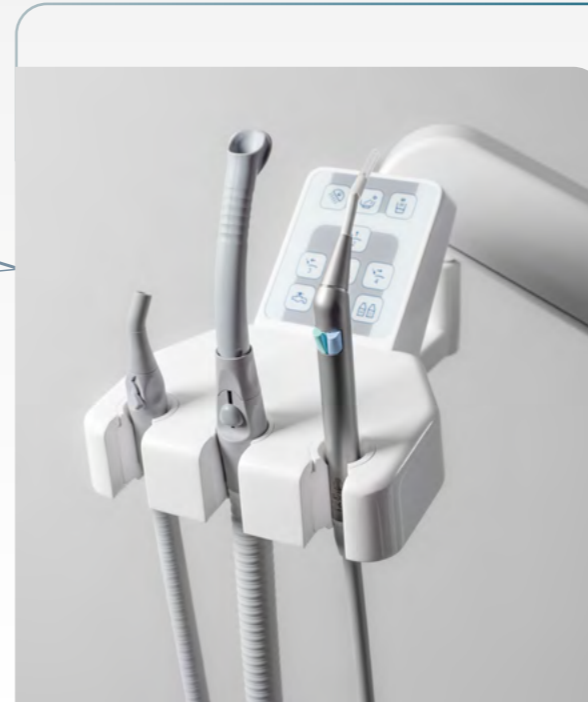
- Preset settings for up 4 users
- Electronic Water and Air regulation for precise control
- Water regulation by single regulator of independent regulators for each instrument
- Hygienic glass control panel - all instruments and functions are controlled via a sleek, hygienic glass touchscreen. No fiddly buttons, just an easy-to-clean surface that perfectly complements a modern practice.

ASSISTANT TABLE

closer to the patient

Ergonomic assistant arms with a table with hygienic glass control - comfortable to use but also offers smart features for an efficient workflow:

- Drinking glass filler, rinse, and chair controls
- Smart options, such as switching between tap and bottled water
- Bottle fill indicator
- Simplified arm for maximum space efficiency
- Patographic arm for optimal reach and flexibility



LEARN MORE AT [CHIRANA.EU](https://www.chirana.eu)





SPITTOON BLOCK

accessible maintenance anytime

The compact, swivelling spittoon is equipped with an EASY GRIP removal system, allowing it to be quickly disassembled into individual components for effortless cleaning. Once cleaned, the glass filler, cup tray, and spittoon can be easily clicked back into place, ensuring the unit is ready for use within seconds.

- Ceramic Bowl – easy to remove and clean
- Programmable functions: cup filling and bowl flush
- Two types of suction systems – DRY and WET (DURR, METASYS, CATTANI, CHIRANA)
- Removable cover for easy access to the service area, which is divided into sections, for easier and faster service

MULTIFUNCTIONAL FOOT CONTROLS

your helping hand in practice

Our multifunctional foot controllers are available in both wired and wireless versions, providing flexible and convenient control during procedures.

FCR 2-7 offers:

- Stepless speed control
- Spray on/off switching
- Chip blower activation
- Dental chair control with an immediate stop function

FCR 2-9 expands functionality even further. Two of its four available functions can be optionally programmed using the buttons located on the side of the pedal. This customizable control allows dentists to streamline their workflow while maintaining a high level of hygiene by minimizing hand contact with the unit.



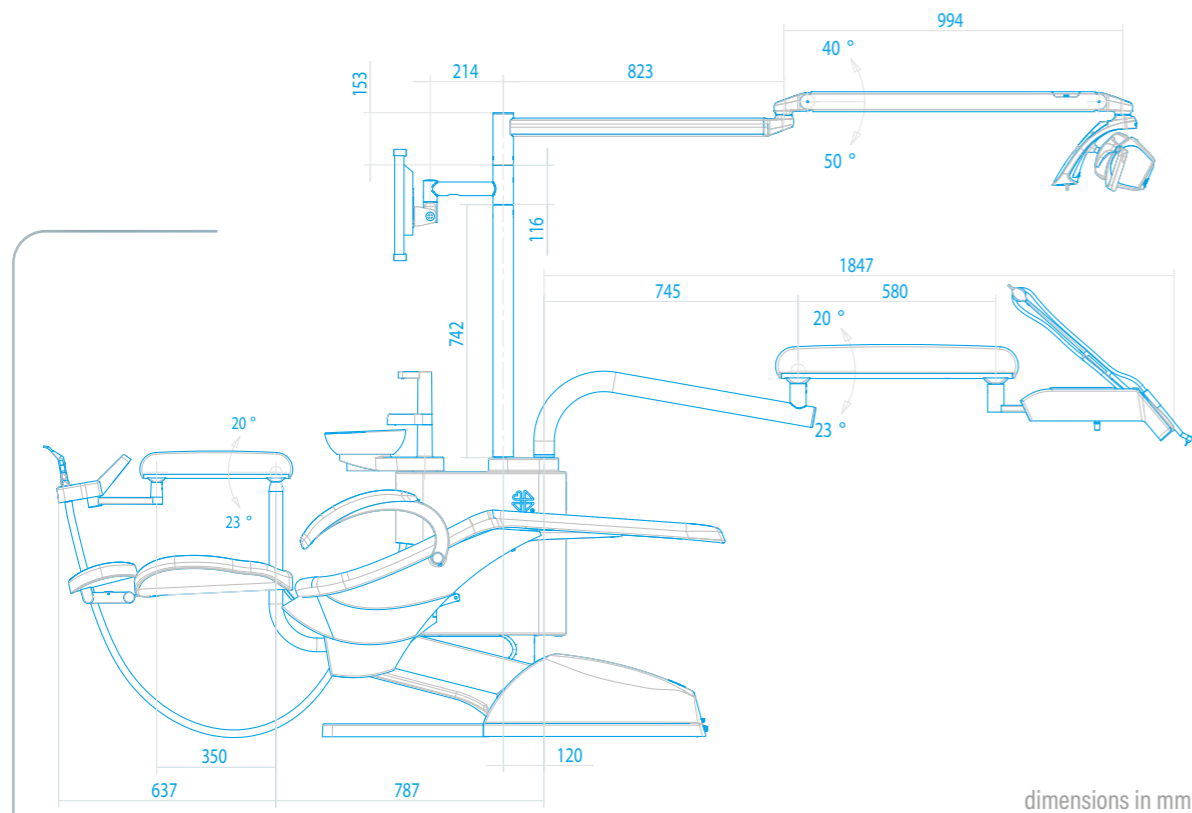
PATIENT CHAIR

designed for pure comfort for both the patient and the dentist while working

New useful functions:

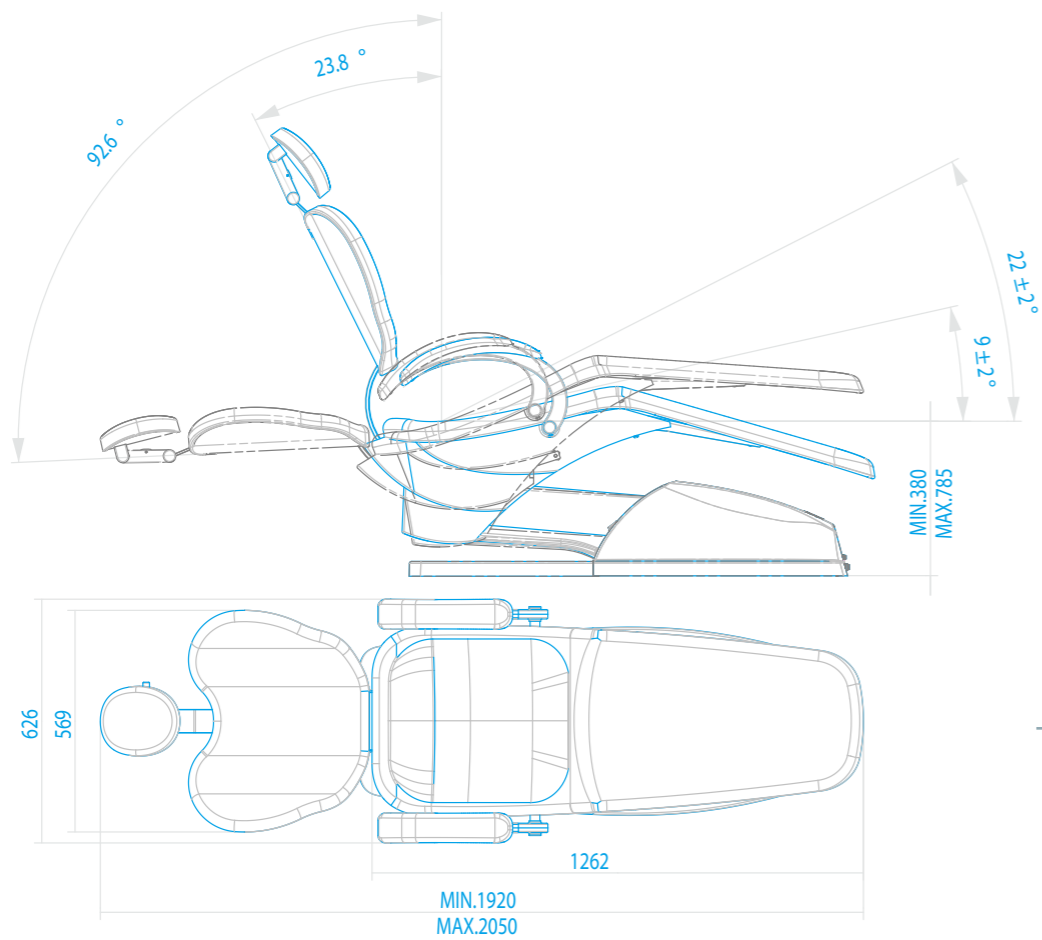
- you can stop the chair movement by pressing the bottom cover with your foot
- you can interrupt the suction process by pressing the bottom cover with your foot
- Trendelenburg position (optional) with synchronised movement for patient comfort during clinical treatment
- Comfortable 2D and 3D headrest for precise head and neck support
- Ergonomic armrests for higher patient comfort
- Four programmable positions for up to four users
- Triple control options – from the doctor's control panel, the assistant's control panel, or from the multifunctional foot control
- Three upholstery types: Standard seamless (6cm), stitched (8cm) or Premium (8cm) for maximal comfort
- Wide selection of colours to suit everyone's taste
- External Media Connections are compatible with any tabletop solutions





dimensions in mm

DIMENSIONS



OUR COMMITMENT GOES FAR BEYOND THE MOMENT OF PURCHASE.

With CHIRANA Medical, a.s., you get a long-term partner who cares about your CHIRANA dental unit's reliable performance. Our experienced sales representatives and highly qualified service technicians provide comprehensive after-sales support that will ensure the smooth and efficient operation of your CHIRANA CONNECT unit for many years to come.



PROUDLY MADE IN SLOVAKIA TO THE HIGHEST EUROPEAN STANDARDS.

IN-HOUSE PRODUCTION OF DENTAL UNITS SINCE 1967

CHIRANA Medical, a.s.
Nám. Dr. A. Schweitzera 194
916 01 Stará Turá
Slovak Republic

medical@chirana.eu
www.chirana.eu

MED/2026/01